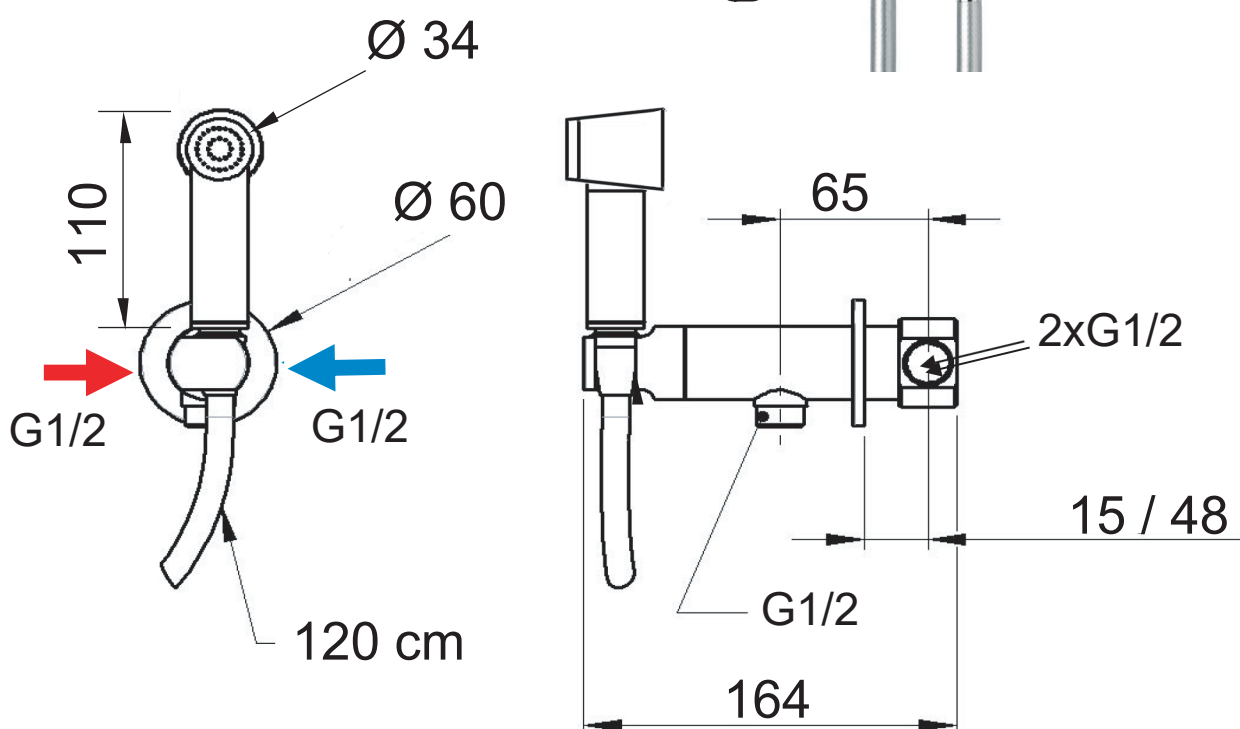
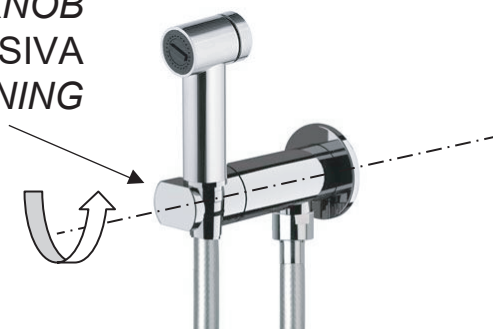


MANOPOLA FLUSSO
FLOW KNOB
APERTURA PROGRESSIVA
PROGRESSIVE OPENING



MATERIALI / MATERIALS

OTTONE CROMATO / CHROME PLATED BRASS

ACCIAIO INOX / STAINLESS STEEL

CROMATURA / CHROME PLATING

UNI EN 248