

REMER

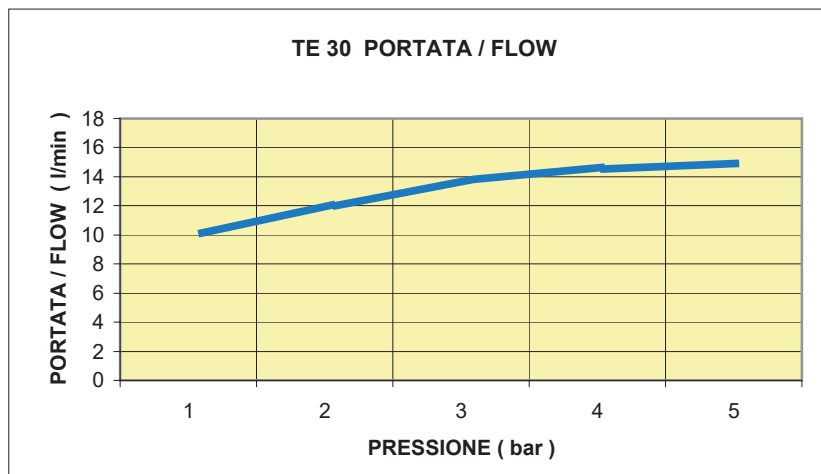
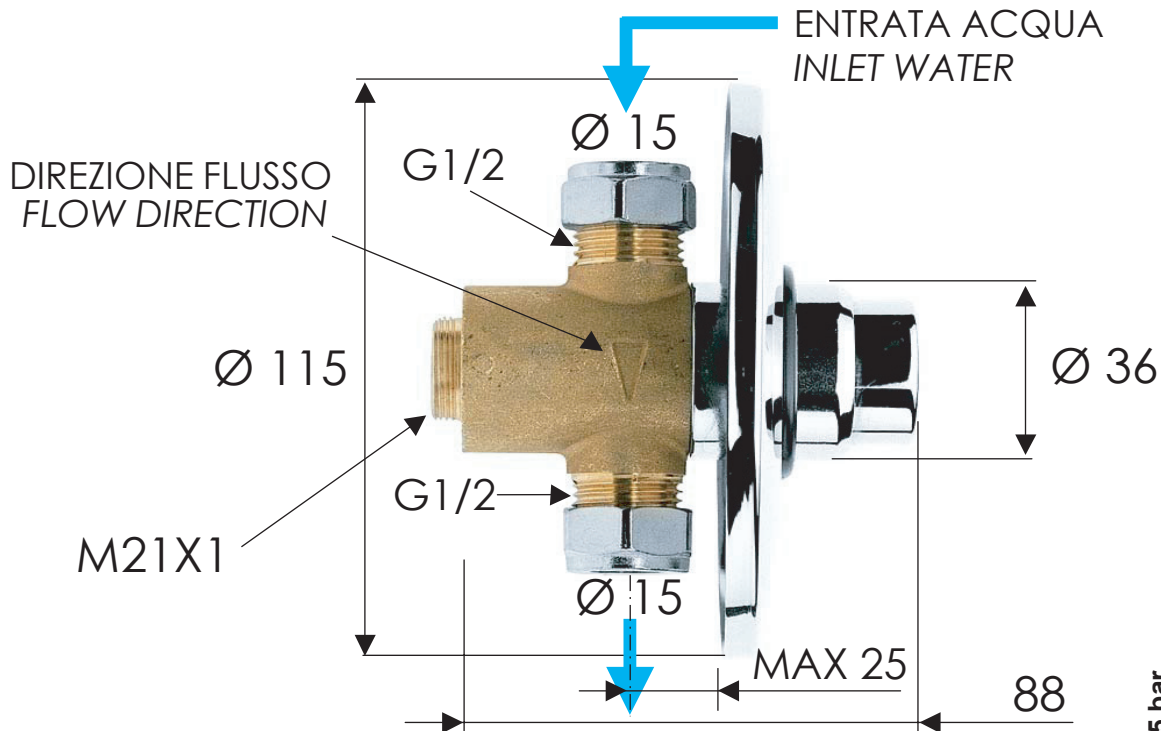
RUBINETTERIE

SCHEDA TECNICA

TECHNICAL FEATURES

ART. COD.

TE30



APERTURA / OPENING 15/20 s
PRESSIONE / PRESSURE RANGE 1-5 bar
T. MAX = 70°C

MATERIALI / MATERIALS

OTTONE CROMATO / CHROME PLATED BRASS

OTTONE / BRASS

CROMATURA / CHROME PLATING

UNI EN 248

Via Leonardo da Vinci 83 - 20062 Cassano d'Adda (MI) Italy - Tel. +39-0363 364211

info@remer.eu

www.remer.eu